

ENQUIRY FORM FOR PRODUCTION OF SPECIFIC CONVECTOR KORAFLEX

Customer:

Contact:

Form for "L" design of KORAFLEX FK

Model

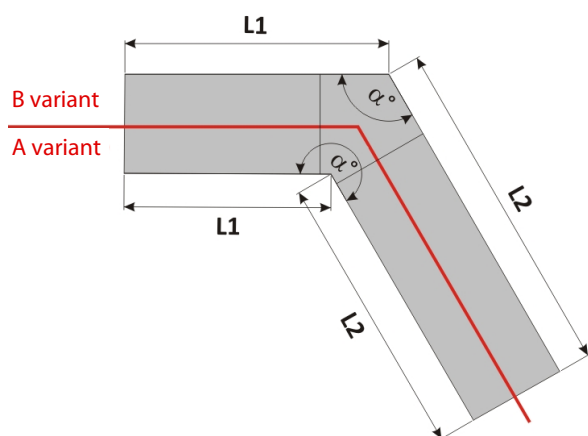
- | | | | | |
|-----------------------------------|-----------------------------------|-----------------------------------|-----------------------------------|-----------------------------------|
| <input type="checkbox"/> FK 9/16 | <input type="checkbox"/> FK 9/20 | <input type="checkbox"/> FK 9/28 | <input type="checkbox"/> FK 9/34 | <input type="checkbox"/> FK 9/42 |
| <input type="checkbox"/> FK 11/16 | <input type="checkbox"/> FK 11/20 | <input type="checkbox"/> FK 11/28 | <input type="checkbox"/> FK 11/34 | <input type="checkbox"/> FK 11/42 |
| <input type="checkbox"/> FK 15/28 | <input type="checkbox"/> FK 15/34 | <input type="checkbox"/> FK 15/42 | <input type="checkbox"/> FK 19/28 | <input type="checkbox"/> FK 19/34 |
| <input type="checkbox"/> FK 19/42 | <input type="checkbox"/> FK 30/28 | <input type="checkbox"/> FK 30/42 | <input type="checkbox"/> FK 45/28 | <input type="checkbox"/> FK 45/42 |

Variant

- Economic Exclusive Inox

- | | | | |
|-------------------------|----------------------------------|---|--|
| Decorative frame | <input type="checkbox"/> U type | <input type="checkbox"/> F type | <input type="checkbox"/> without frame |
| Frame colour | <input type="checkbox"/> silver | <input type="checkbox"/> light bronze | <input type="checkbox"/> dark bronze |
| Floor grid | <input type="checkbox"/> lateral | <input type="checkbox"/> longitudinal ¹⁾ | |
| Wood | <input type="checkbox"/> beech | <input type="checkbox"/> oak | <input type="checkbox"/> mahagon |
| Aluminium | <input type="checkbox"/> silver | <input type="checkbox"/> light bronze | <input type="checkbox"/> dark bronze |
| Stainless steel | <input type="checkbox"/> Roll | | |

¹⁾ The longitudinal grid is available in aluminium and Roll variants only.



Convertor design: A variant B variant

Your dimension:

L1 = L2 = α° =

- Dimensions are specified including the decorative frame.
 Dimensions are not specified including the decorative frame.

*Please, specify the dimensions together with units of measure.
 Production tolerance of ± 3 mm. Delivered with a floor grid only.*

Place for your comments:

Completed on:

The possibility to satisfy your request will be reviewed by our technical department. In case of its manufacturability, you will receive a quotation and if you place a binding order we will send our drawings for you to approve them in writing before starting the production itself. Time of delivery will be defined individually according to the complexity of the technical solution and counted from the date of receiving your binding order. The goods can be ordered exclusively through KORADO's contractual sellers. **Please, send the completed form to info@korado.cz**

QUOTATION FOR SPECIFIC CONVECTOR KORAFLEX

Feasibility of production:

Quotation number:

YES

NO

Manufacturer's statement:

Assumed time of delivery from the date of receiving your binding order: working days.

In total, the convector assembly consists of:

Product order code	Product description	Quantity	Total price excl. VAT

Total price excluding VAT for all items:

The goods can be ordered exclusively through KORADO's contractual sellers. For the list of contractual sellers, please refer to www.korado.com.

Date:

Completed by:

Thank you for your enquiry.